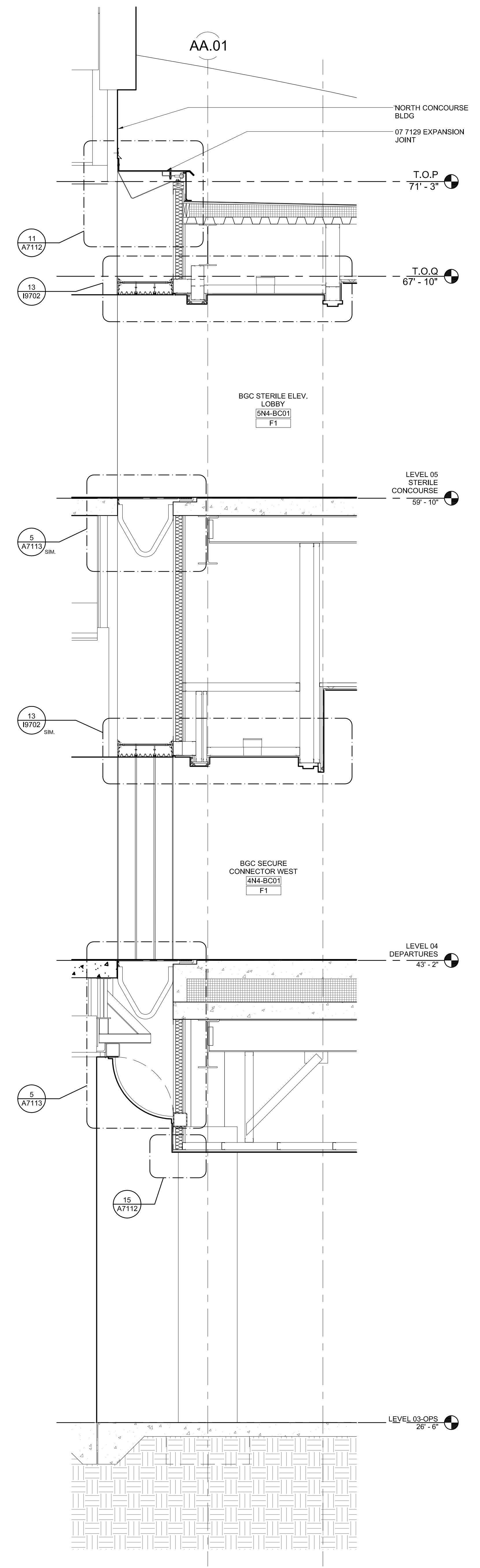
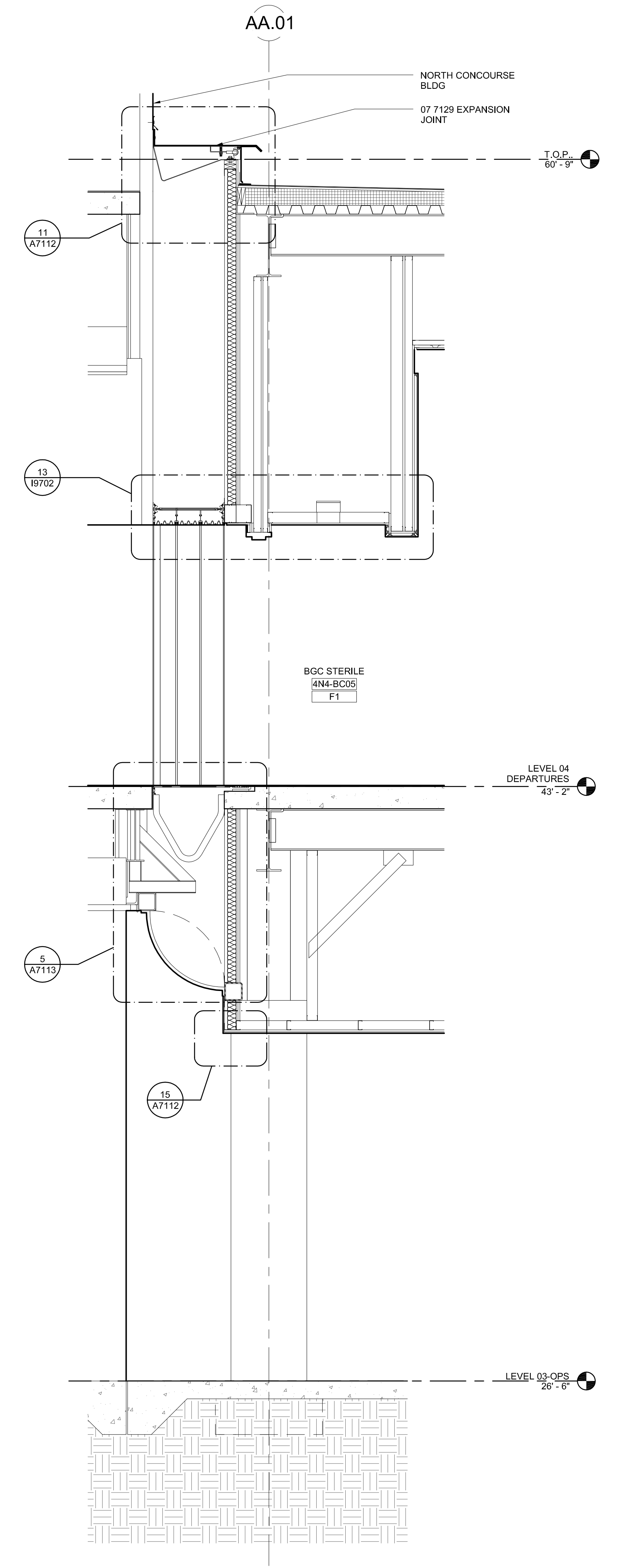


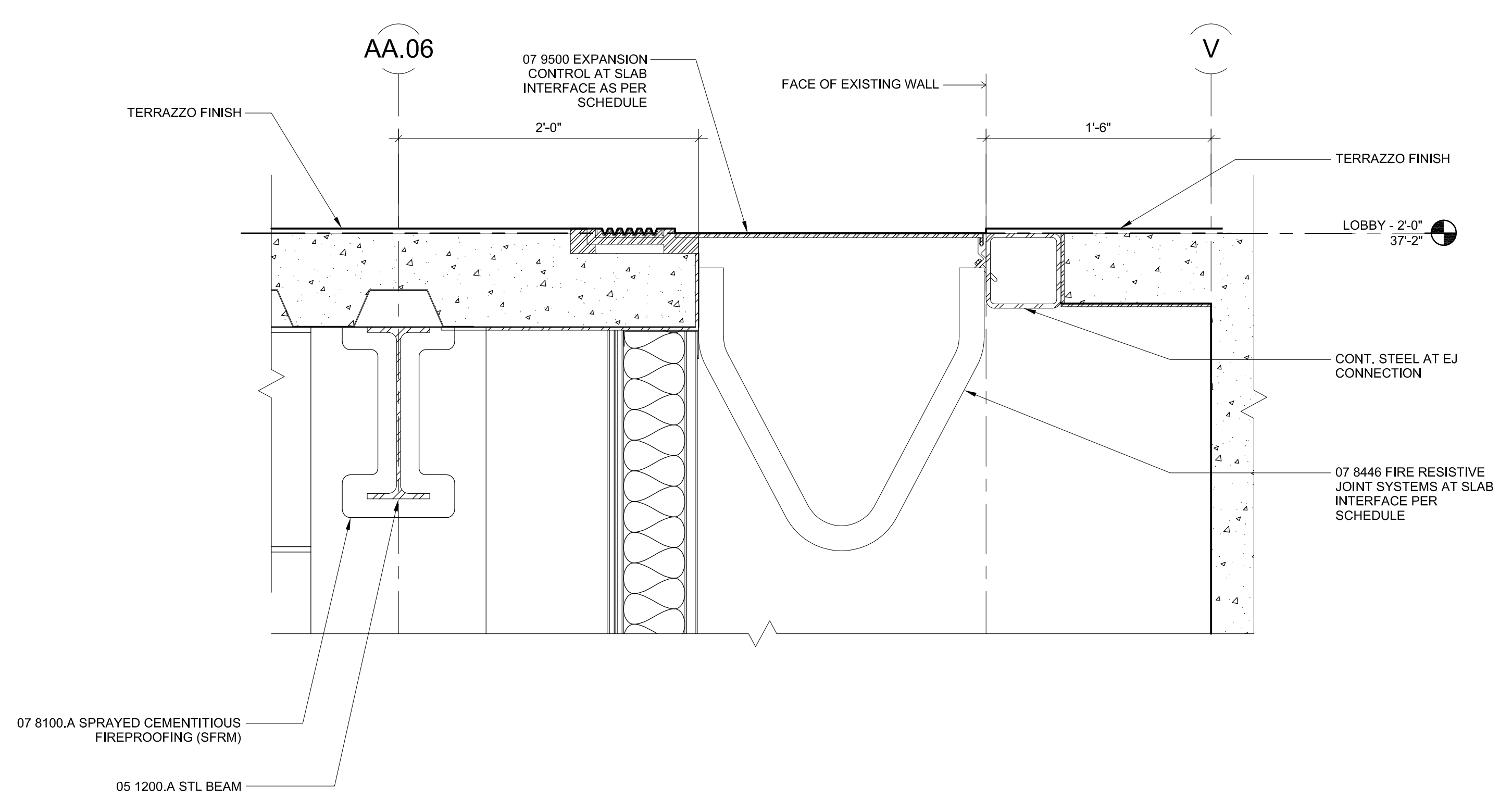
**3** SECTION @ BGC SECURE CONNECTOR WEST AND BGC STERILE  
 A6120/A6218 1/2" = 1'-0"



**2** SECTION @ NORTH CONCOURSE BUILDING  
 A6120/A6218 1/2" = 1'-0"



**1** SECTION @ NORTH CONCOURSE BUILDING  
 A6120/A6218 1/2" = 1'-0"



**6** SECTION @ EXPANSION JOINT  
 A6217/A6218 1 1/2" = 1'-0"

CONSULTANT	CONSULTANT	CONSULTANT
------------	------------	------------



STAMP

REV. NO.	DATE	DESCRIPTION	REV. NO.	DATE	DESCRIPTION
DP5-B2	2010 0215	DESIGN PACKAGE #5 BULLETIN 2			

Los Angeles World Airports  
 BUS GATE CONNECTOR WALL SECTIONS  
 Bradley West Concourse  
 15000 World Way, LA, CA 90045

**A6218**

DATE: 02/18/2010 10:44:09 AM  
 PROJECT: DA4274